



Lay-in Ceiling System  
嵌入式天花板系统

## Lay-in Ceiling System

嵌入式天花板系统

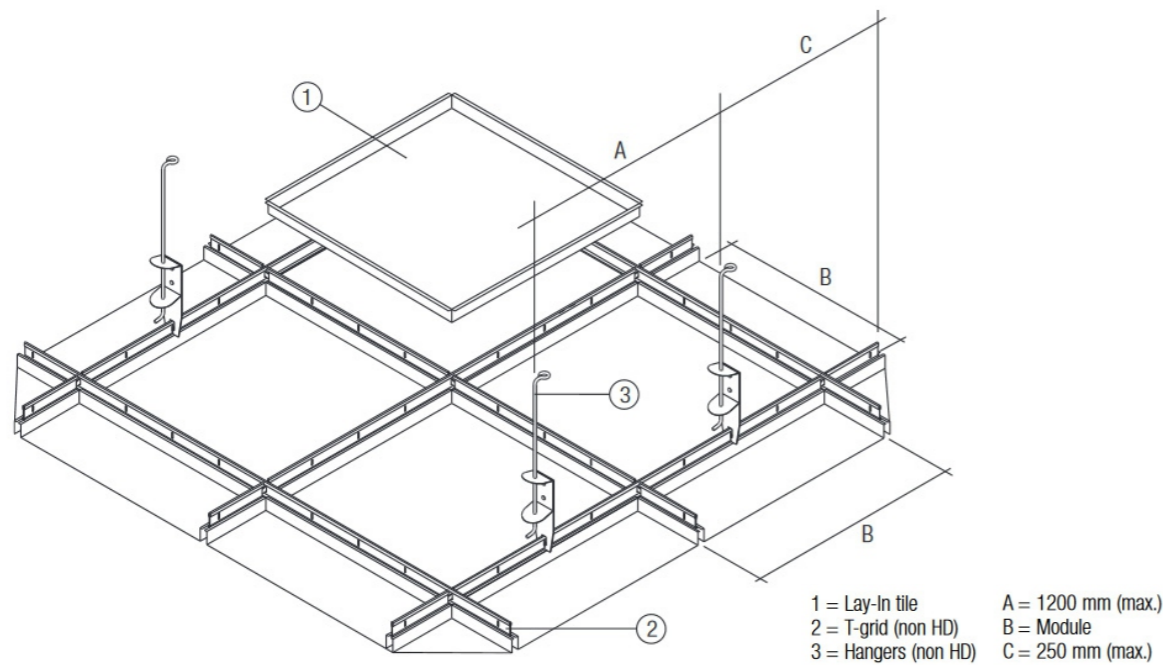


### Aluminum Ceiling Panel Specification Sheet

|                                   |  |
|-----------------------------------|--|
| (W×H)mm                           | 300X300 400X400 500X500 600X300<br>600X600 800X800 1200X300 1200X600 |
| Aluminum baffle ceiling Thickness | 0.5–0.9 mm   |

### INSTALLATION DIAGRAM

安装示意图



#### 系统配件 System Accessories



corner bead



ceiling hanger

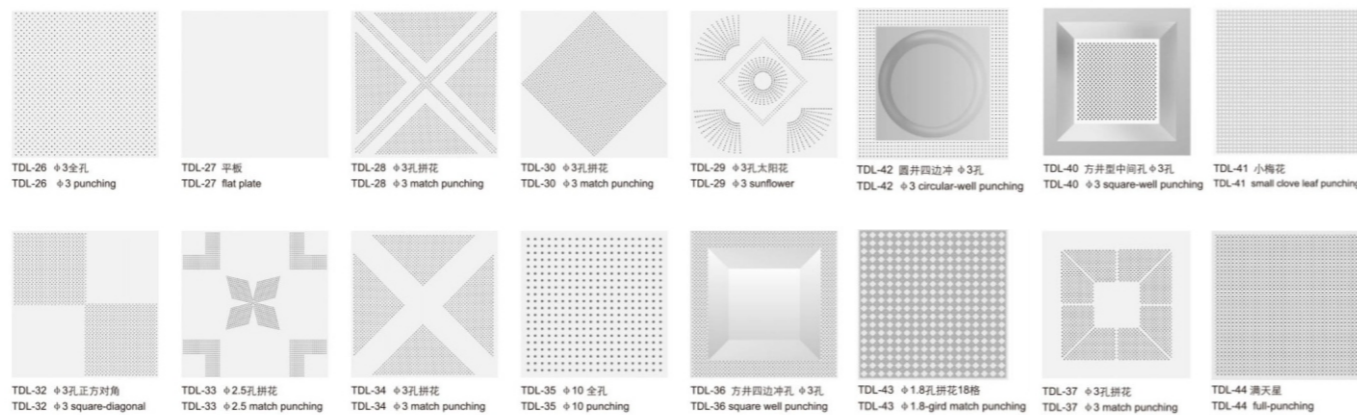


Main & Cross 'T-bar



### Product Display Image

产品展示图



### Applications Ceiling Decoration

天花板装饰应用

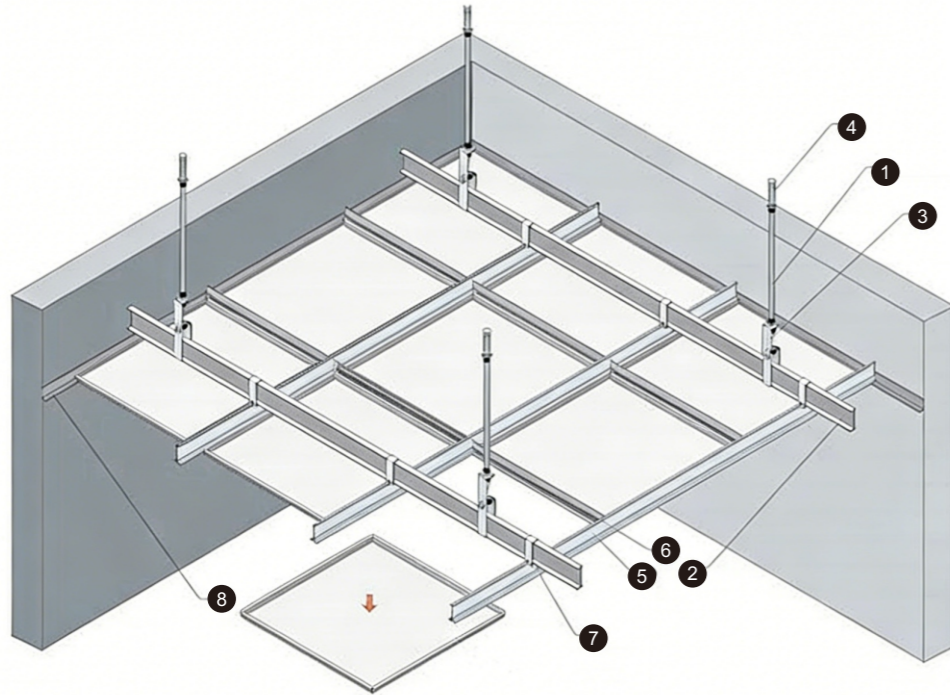
Commercial Buildings, Airports, High-speed trains/Stations, Subways, Sports venues, Storefront Signs, 4S Stores/Sales Departments Show Rooms, Cafe Zone, Corridor, Schools, Parks, Meeting Rooms, Villas, Office Buildings, Hospitals, Administrative Passages, Showrooms, Bus Termination, Waiting-Room, Living-Room, Supermarket, Buildings, Exhibition Halls, Tunnels, Homes, Opera Houses, Hotels/clubs, Banks Basements, Parking Lots, Farms, Overpasses/Sidewalks, Toll Stations, Gas Stations, Factories/Workshops, Shopping Malls/Restaurants, Libraries, Computer Rooms, etc

商业建筑、机场、高速列车/车站、地铁、体育场馆、店面招牌、4S商店/销售部门展示厅、咖啡厅区、走廊、学校、公园、会议室、别墅、办公楼、医院、行政通道、展示厅、公交停靠站、候车室、起居室、超市、楼宇、展览厅、隧道、住宅、歌剧院、酒店/俱乐部、银行、地下室、停车场、农场、天桥/人行道、收费站、加油站、工厂/车间、购物中心/餐厅、图书馆、计算机室，等等

Product Scene Display Image  
产品场景展示图

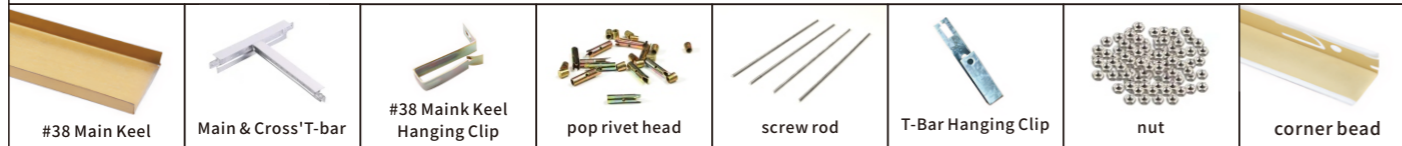
扣板天花板系统的标准安装图

Standard Installation Details for Panelized Ceiling System



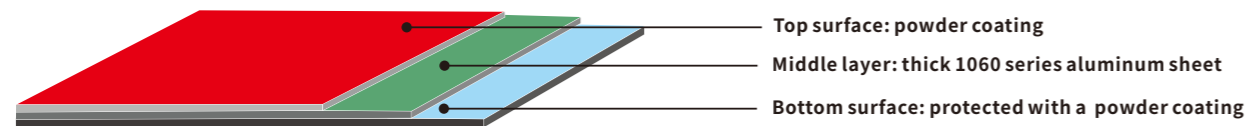
- ① Thread rod
- ② 38main channel
- ③ Hanger of 38main channel
- ④ Expansion screw
- ⑤ T-type main keel
- ⑥ T-Vice keel
- ⑦ T Keel hanging pieces
- ⑧ L angle

System Accessories / 系统配件



Structural Drawing of Stepped Board Material  
跌级板材料结构图

Powder Coating Process



PET Film Process

